

HD50

SUPER HIGH RESOLUTION FIXED LENS VANDAL DOME CAMERA

The Performance Series rounds out Honeywell's camera portfolio with a variety of indoor, outdoor and low light cameras that lets end users pick the perfect camera for virtually any installation. Ideal for a diverse range of applications, the Performance Series includes a wide range of high performing IR bullet cameras and mini-domes that are easy to install and even easier to use.

The HD50 is a rugged indoor/outdoor fixed mini-dome camera. The high-impact dome housing is vandal resistant and weather tight. The integrated housing protects the camera from dust, dirt and water as well as physical harm from strong external impacts (for example, hockey sticks or sledgehammers). The visually appealing low profile design blends with its surroundings, making the HD50 the obvious choice for architecturally sensitive installations. The HD50 incorporates a 1/3" CCD that offers 530 TV lines of crisp, clear horizontal resolution. The cameras come equipped with a built-in fixed lens (f=3.8 mm) and a 3-D axis gimbal that is capable of 360° of pan, 180° of tilt and 360° of horizontal rotation.

The HD50 installs quickly and easily. It comes standard with a two-conductor pigtail that connects to the barrel connector so there is no need to cut wires during installation. The HD50 is designed for use in challenging environments. It is IP66 rated for outdoor installations, but can also be installed indoors, mounted directly to a ceiling or wall.

Market Opportunities

The HD50 is a cost effective surveillance solution for applications that experience changing light conditions throughout the day and require extra illumination at night. The HD50 offers a simple yet solid design that provides optimum performance for both indoor and outdoor applications including lobbies, atriums, vestibules, gated entrances, foyers, loading docks and driveways.

Features

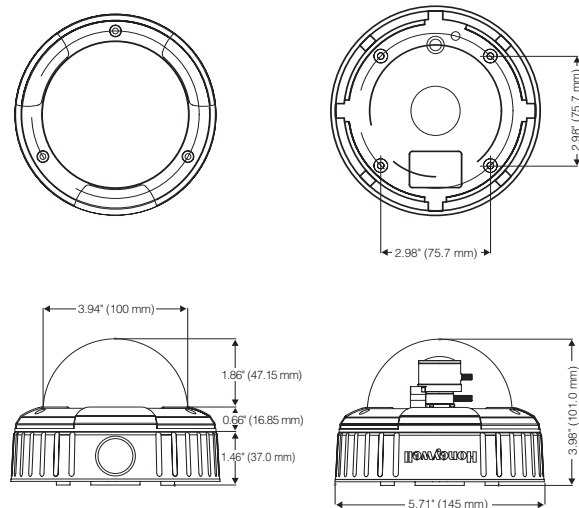
- Super high resolution color: 530 TVL - 1/3" Sony Super HAD CCD
- Built-in fixed lens (f=3.8 mm)
- Surface mount enclosure, indoors or outdoors
- Auto White Balance
- Vandal-proof and weather resistant housing with IP66 rating
- 3-D axis gimbal
- Two-conductor pigtail is standard for connection to barrel connector
- 12 VDC Input



SPECIFICATIONS

Operational	
Video Standard	NTSC, PAL
Scanning System	2:1 Interlace
Image Sensor	1/3" Sony HAD CCD sensor
Number of Pixels (H x V)	811 x 508 (NTSC) 795 x 596 (PAL)
Minimum Illumination	0.3 lux
Horizontal Resolution	530 TVL
Video Output	1.0 Vp-p, composite @ 75 Ohms
Sync System	Internal
S/N Ratio	50 dB or more (AGC Off)
Auto Gain Control	On/Off
Automatic Electronic Iris	1/60–1/100,000 second (NTSC) 1/50–1/100,000 second (PAL)
White Balance	Auto
BLC	On/Off
Gamma	0.45
Lens Type	Built-in fixed (f=3.8 mm)
Angle of View	H: 68° V: 50°
Electrical	
Input Voltage	12 VDC
Input Range	10-14 VDC
Power Consumption	2 W (max)

Mechanical	
Dimensions (W x H x D)	See Diagram
Weight	1.0 lb (0.440 kg)
Construction	Housing: Die Cast Aluminum Dome: Polycarbonate Finish: Light gray powder coating
Connectors	Main Video: BNC connector Power Input: 2.1 mm Plug
Environmental	
Temperature	Operating: -4°F to 122°F (-20°C to 50°C) Storage: -49°F to 167°F (-45°C to 75°C)
Relative Humidity	0% to 90% non-condensing
Rating	IP66
Regulatory	
Emissions	FCC, CE: (EN55022) Class A
Immunity	CE: EN 50130-4
Safety	EU: EN 60065
Accessories	
Power Supplies	
HPT12DC500	12 VAC / 500 mA Plug-in Regulated 2.1 mm Coaxial Plug UL Listed/CSA Certified



Ordering	
HD50	1/3" CCD Vandal Resistant Dome Camera, 530 TVL, Fixed 3.8 mm, 12 VDC NTSC
HD50X	1/3" CCD Vandal Resistant Dome Camera, 530 TVL, Fixed 3.8 mm, 12 VDC PAL

Honeywell Security

Honeywell Video Systems
2700 Blankenbaker Pkwy, Suite 150
Louisville, KY 40299
1.800.796.CCTV (2288)
www.honeywell.com

L/HD50D/D
August 2008
© 2008 Honeywell International Inc.

Honeywell